

# ALTMAN

Catalog number:

154

160

1000 Watts

## 14" scoops

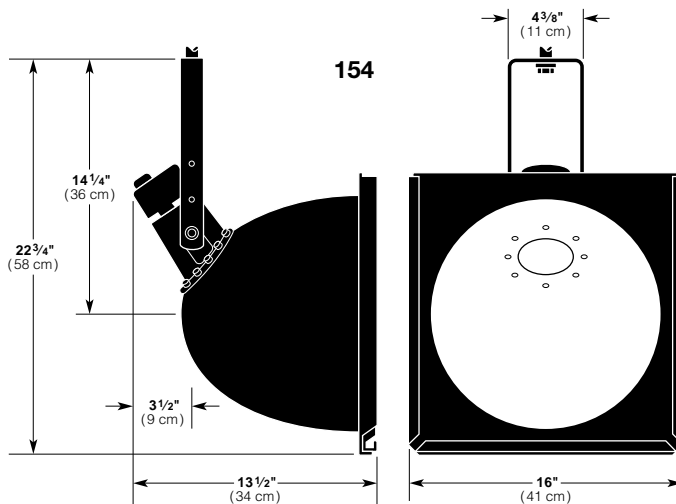


Lightweight multi-purpose ellipsoidal reflector floodlights, both scoops produce a very diffuse soft edged beam. The 154 scoop produces a beam diameter of 15 feet at a distance of 7.5 feet, and the 160 scoop produces a beam diameter that varies from 13.5 to 20.7 feet at the same distance. Both luminaires are designed to operate high color temperature Tungsten Halogen lamps, as well as standard incandescent lamps. These fixtures are used in theatre and television as both a flood light and a cyclorama fixture. Other uses include photographic and television remote fill light. The scoop is an ideal fixture for color blending and for creating smooth even washes of light.

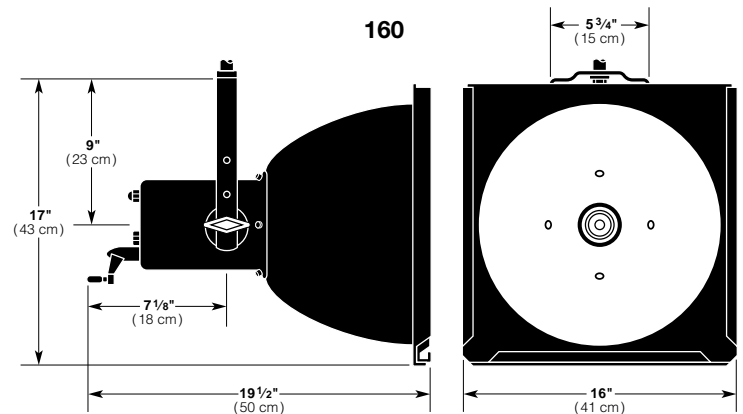
### Features

- Heavy spun aluminum construction
- Etched matte aluminum reflector
- Three 36" Teflon lead wires
- Up to 25 feet Hi-Temp rubber cable optional
- Plated steel color frame included
- Integrated rotatable color frame holder
- U.L. and c.U.L. listed for 1000 watts

Specifications may vary from time of printing.



Hanging Weight - Approx. 9 lbs. (4.1 kg)



Hanging Weight - Approx. 8 1/2 lbs. (3.9 kg)

# ALTMAN

THE QUALITY OF LIGHT

Altman Stage Lighting Company, Inc.  
57 Alexander Street, Yonkers, NY 10701

914-476-7987

212-569-7777

FAX: 914-963-7304

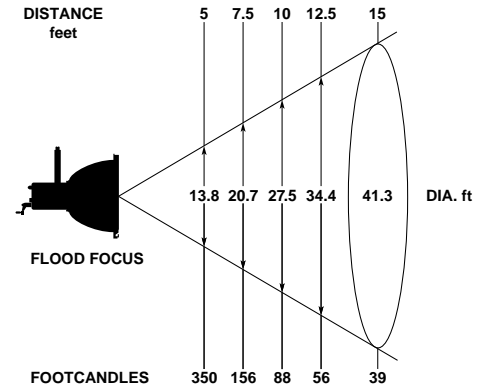
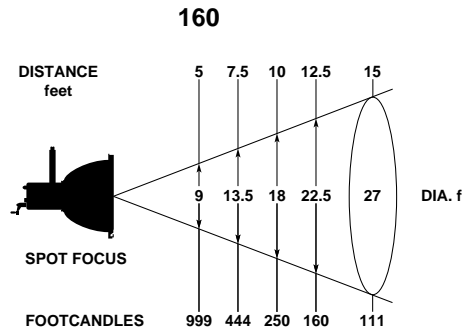
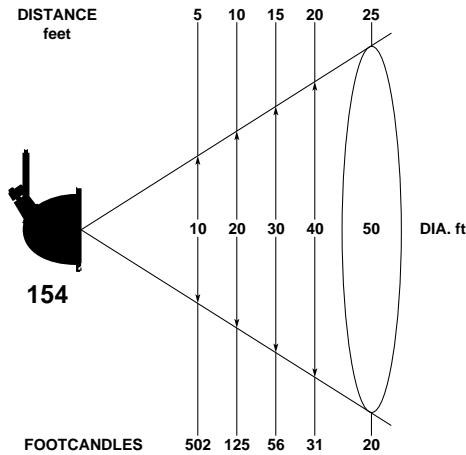
# ALTMAN

Catalog number:

154

160

## 14" Scoops



## Specifications

**HOUSING:** Cast aluminum for 154, spun steel for 160.

**MATERIALS:** Construction employs all corrosion-resistant materials and hardware.

**RATING:** 120/240 volts AC/DC operation, 8.3/4.2 amps, 1000 watts maximum.

**SOCKET:** Mogul screw base, toolless relamping for 154. Altman Medium prefocus, toolless relamping for 160.

**CABLE:** 36" Teflon leads encased in black fiberglass sleeving. Hi-Temp rubber cable optional, up to 25'.

**YOKE:** Rigid flat steel.

**REFLECTOR:** Etched aluminum, matte finish, ellipsoidal design.

**FINISH:** Baked black enamel, electrostatic application.

**WEIGHT:** Approx. 9 lbs. for 154, & approx. 8 1/2 lbs. for 160.

## Accessories

### Supplied with luminaire

154/160-CF Color Frame, 15 3/4" x 16"

### Additional Accessories

510 Malleable Iron Pipe Clamp  
SC Safety Cable with Spring Clip

154 SCOOP PERFORMANCE CHART WITH 1000 IF LAMP			
Candlepower (Candela)	Beam Angle (Degrees)	Field Angle (Degrees)	Efficiency (%)
12,550	47°	90°	55

160 FOCUSING SCOOP PERFORMANCE CHART WITH EGK LAMP				
Focus	Candlepower (Candela)	Beam Angle (Degrees)	Field Angle (Degrees)	Efficiency (%)
Spot	25,000	32°	84°	49
Flood	8,750	70°	108°	75

154 SCOOP LAMP DATA						
Watts	ANSI Code	Manufacturers Lamp Code	Color Temp (°K)	Rated Life (Hours)	Rated Lumens	Correction Factor
300		300 or 300IF	3000	1000	5,820	.25
500		500 or 500IF	3050	1000	10,600	.45
750		750 or 750IF	3050	1000	17,040	.72
1000		1000 or 1000IF	3100	1000	23,740	1.00
1000	DSE		3200	750	27,000	1.14
1000	DKZ/DSE	Q1000 PS52	3200	750	28,000	1.18

160 SCOOP LAMP DATA						
Watts	ANSI Code	Manufacturers Lamp Code	Color Temp (°K)	Rated Life (Hours)	Rated Lumens	Correction Factor
500	EGE	Q500 CL/P	3000	2000	10,450	.40
500	EGC	Q500/5CL/P	3150	500	12,700	.48
750	DNT	DNT/750T12/9	3000	200	17,000	.64
750	EGG	Q750 CL/P	3000	2000	15,750	.60
750	EGF	Q750/4CL/P	3200	500	20,400	.77
1000	EGJ	Q10004CL/P	3200	500	27,500	1.00
1000	EGK	Q1000/4/P	3200	500	26,500	1.00

# ALTMAN

THE QUALITY OF LIGHT

Altman Stage Lighting Company, Inc.  
57 Alexander Street, Yonkers, NY 10701

914-476-7987

212-569-7777

FAX: 914-963-7304